



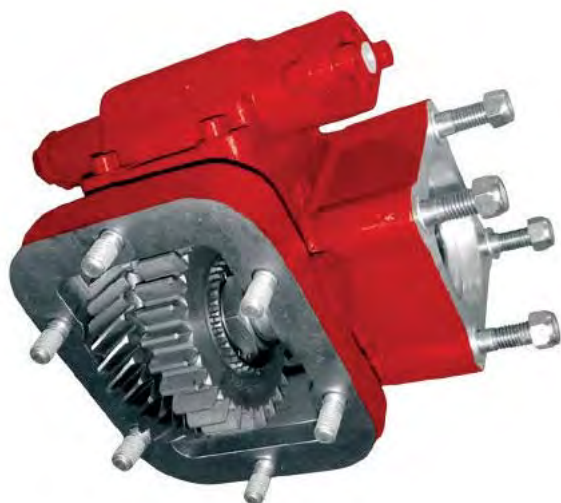
Índice / Contents

| | |
|---|-----|
| 14, 15 SAE SIX HOLES, Output Type ISO 4 Bolt Two Gear-Single Speed..... | 256 |
| 14, 15 SAE SIX HOLES, Output Type ISO 4 Bolt Two Gear-Single Speed - Front pump mounting..... | 258 |

Kamaz

14, 15 SAE SIX HOLES, Output Type ISO 4 Bolt Two Gear-Single Speed

Lateral Neumático
Side Mount Pneumatic



Descripción Description

Toma de fuerza de dos piñones en toma constante para conectar bombas ISO 4 taladros. Accionamiento neumático. Montaje sobre el lado derecho de la caja de cambios.

Power Take-off two gears, constant mesh to connect Iso 4 bolts pumps. Pneumatic shifting. Mounting on right side of the Gearbox.

Datos Principales Main Data

| | | |
|--|---------------------------|-------------------|
| Par nominal Torque (Nm) | Continuo Continuous | 300 |
| | Intermitente Intermittent | 420 |
| Potencia (1000 r.p.m.) Power (HP) 1000 r.p.m | | 42 C.V // 32 kW |
| Lado de montaje Mounting position | | Derecho Right |
| Sentido de giro de la bomba Pump rotation | | Derecho ClockWise |
| Peso Weight (Kg) | | 12 |
| Temperatura de trabajo Working temperature | | -45°C + 120°C |

| Relación Interna(*) Internal Ratio | | R (137%) | S (150%) | T (165%) |
|---|------------------|----------|----------|----------|
| Relación motor Toma de Fuerza Engine to PTO ratio | Normal Normal | 1: 0,615 | 1: 0,673 | 1: 0,741 |
| | Larga High | 1: 0,756 | 1: 0,827 | 1: 0,910 |

Códigos y Combinaciones Part Numbers and Combinations

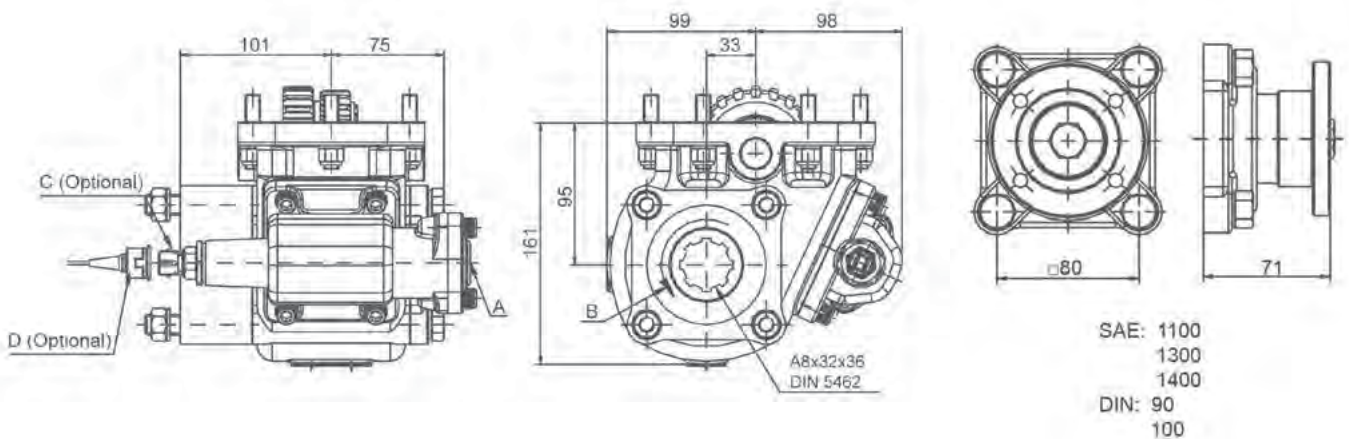
| Tipos de salida Output types | | Plato Flange | Bomba Pump (DIN 5462) | Bomba Pump (UNI) |
|--|--|--------------|--------------------------|---------------------|
| Accionamiento neumático Pneumatic shifting | | 130802* | 130803* | 130830* |

14, 15 SAE SIX HOLES, Output Type ISO 4 Bolt Two Gear-Single Speed

Lateral Neumático
Side Mount Pneumatic

ISO 4 tal / bolt

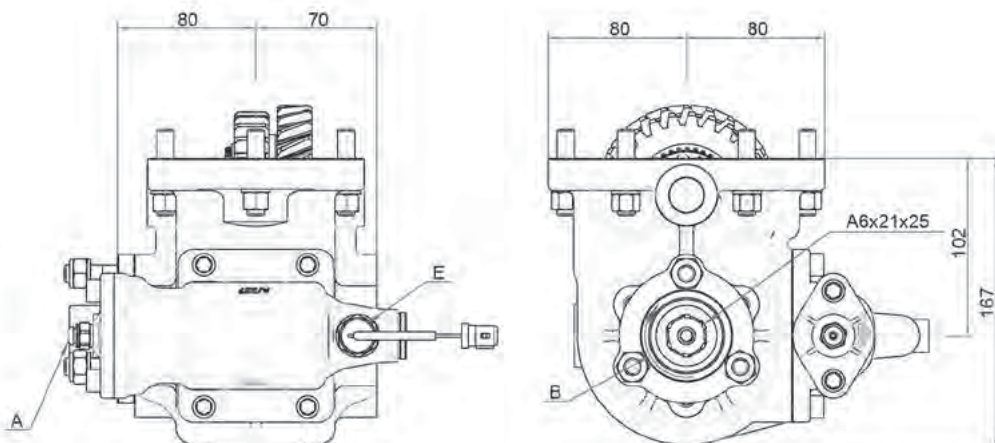
Plato / Flange



Notas Notes

| A | Toma de aire, rosca 1/4" GAS | A | Air connection, thread 1/4" BSP |
|---|--|---|---|
| B | Sentido de giro | B | Rotation |
| C | Indicador de funcionamiento. (100070001) | C | Passing contact switch. P/N 100070001 |
| D | Conector con 3m. de cable (906599) | D | Connector with 3m. of cable. P/N 906599 |
| E | Indicador de funcionamiento. (100070012) | E | Passing contact switch. P/N 100070012 |

UNI 3 tal / bolt



14, 15 SAE SIX HOLES, Output Type ISO 4 Bolt
Two Gear-Single Speed - Front pump mounting

Lateral Neumático
Side Mount Pneumatic



Descripción Description

Toma de fuerza de dos piñones en toma constante para conectar bombas ISO 4 taladros. Accionamiento neumático. Montaje sobre el lado derecho de la caja de cambios.

Power Take-off two gears, constant mesh to connect Iso 4 bolts pumps. Pneumatic shifting. Mounting on right side of the Gearbox.

Datos Principales Main Data

| | | |
|--|---------------------------|-----|
| Par nominal Torque (Nm) | Continuo Continuous | 300 |
| | Intermitente Intermittent | 420 |
| Potencia (1000 r.p.m.) Power (HP) 1000 r.p.m | 42 C.V // 32 kW | |
| Lado de montaje Mounting position | Derecho Right | |
| Sentido de giro de la bomba Pump rotation | Izquierdo Anti ClockWise | |
| Peso Weight (Kg) | 12 | |
| Temperatura de trabajo Working temperature | -45°C + 120°C | |

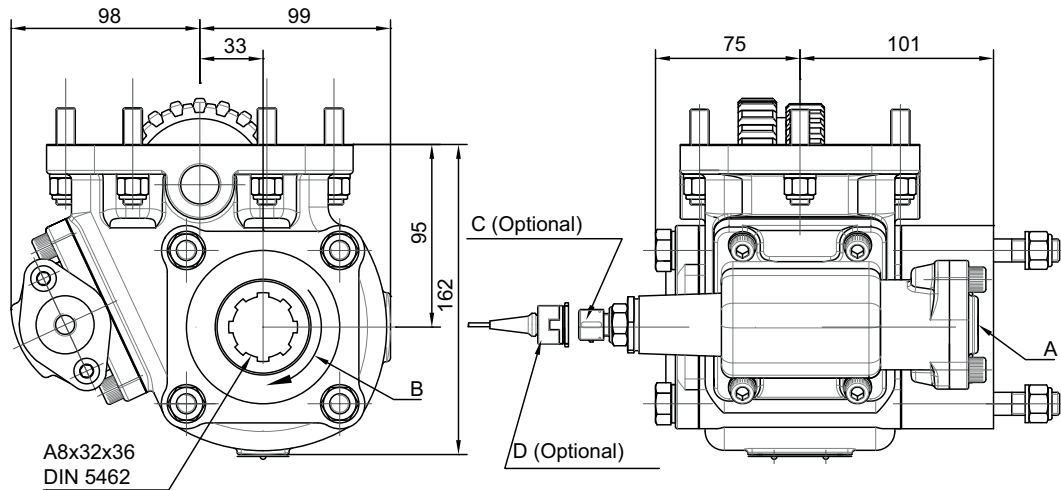
| Relación Interna(*) Internal Ratio | | R (137%) | S (150%) | T (165%) |
|---|------------------|----------|----------|----------|
| Relación motor Toma de Fuerza Engine to PTO ratio | Normal Normal | 1: 0,615 | 1: 0,673 | 1: 0,741 |
| | Larga High | 1: 0,756 | 1: 0,827 | 1: 0,910 |

Códigos y Combinaciones Part Numbers and Combinations

| | | |
|--|--------------|--------------------------|
| Tipos de salida Output types | Plato Flange | Bomba Pump (DIN 5462) |
| Accionamiento neumático Pneumatic shifting | 130902* | 130903* |

14, 15 SAE SIX HOLES, Output Type ISO 4 Bolt
Two Gear-Single Speed - Front pump mounting

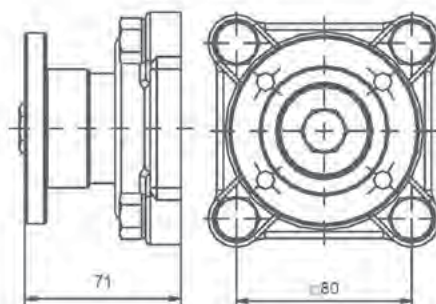
Lateral Neumático
Side Mount Pneumatic



| Notas | | Notes | |
|-------|--|-------|---|
| A | Toma de aire, rosca 1/4" GAS | A | Air connection, thread 1/4" BSP |
| B | Sentido de giro | B | Rotation |
| C | Indicador de funcionamiento. (100070001) | C | Passing contact switch. P/N 100070001 |
| D | Conector con 3m. de cable (906599) | D | Connector with 3m. of cable. P/N 906599 |

Tipos de Salida Output Types

Plato / Flange



SAE: 1100
1300
1400

DIN: 90
100