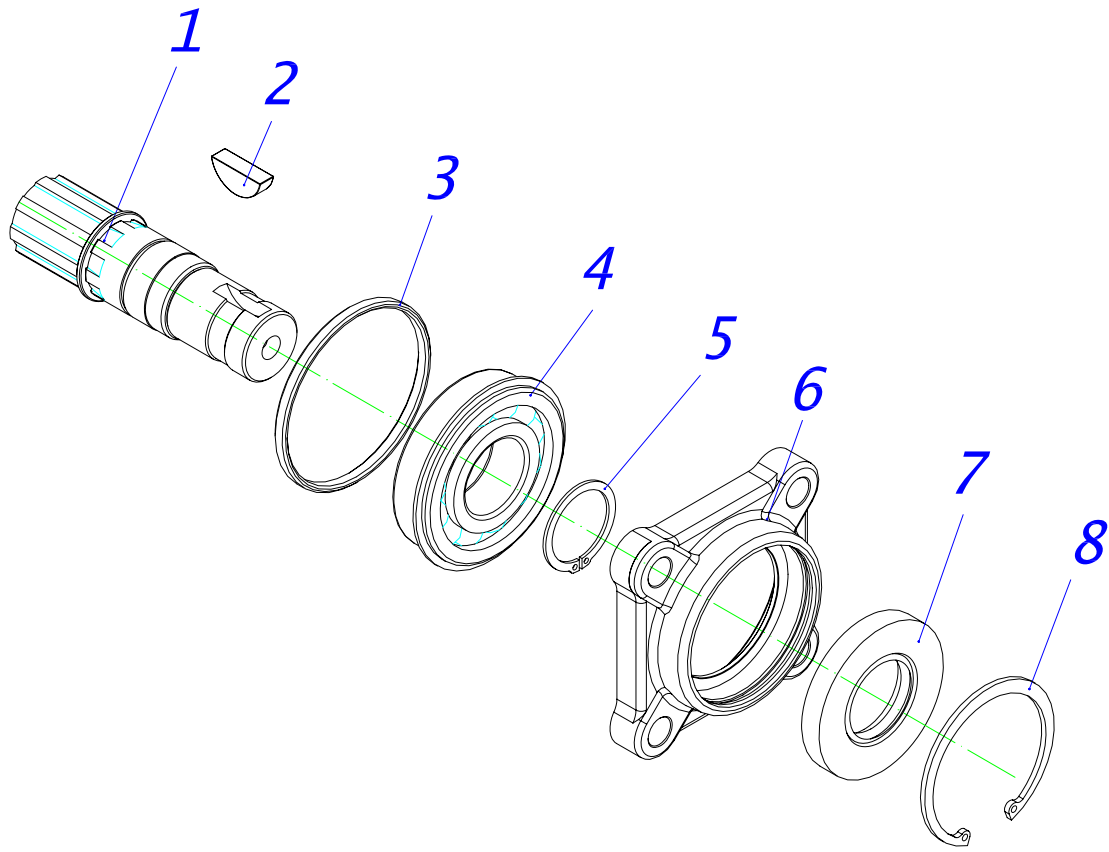


**ADAPTER KIT ISO 4 BOLT- ROUND SHAFT 1 ¼”
(708104)**

September 2.003



	QT.	DESCIPTION	DIMENS.	CODE	BZ USA CODE
1	1	Output shaft	1 ¼”	203013901	
2	1	Key woodruff	1 1/8” x 5/16”	106040002	
3	1	Spacer bush		211012601	
4	1	Ball bearing	35x80x21	113040021	
5	1	Circlip DIN 471	Ø35	101010005	
6	1	Adapter housing		208010661	
7	1	Seal R	35x72x10	112010007	
8	1	Circlip DIN 472	Ø72	101020013	