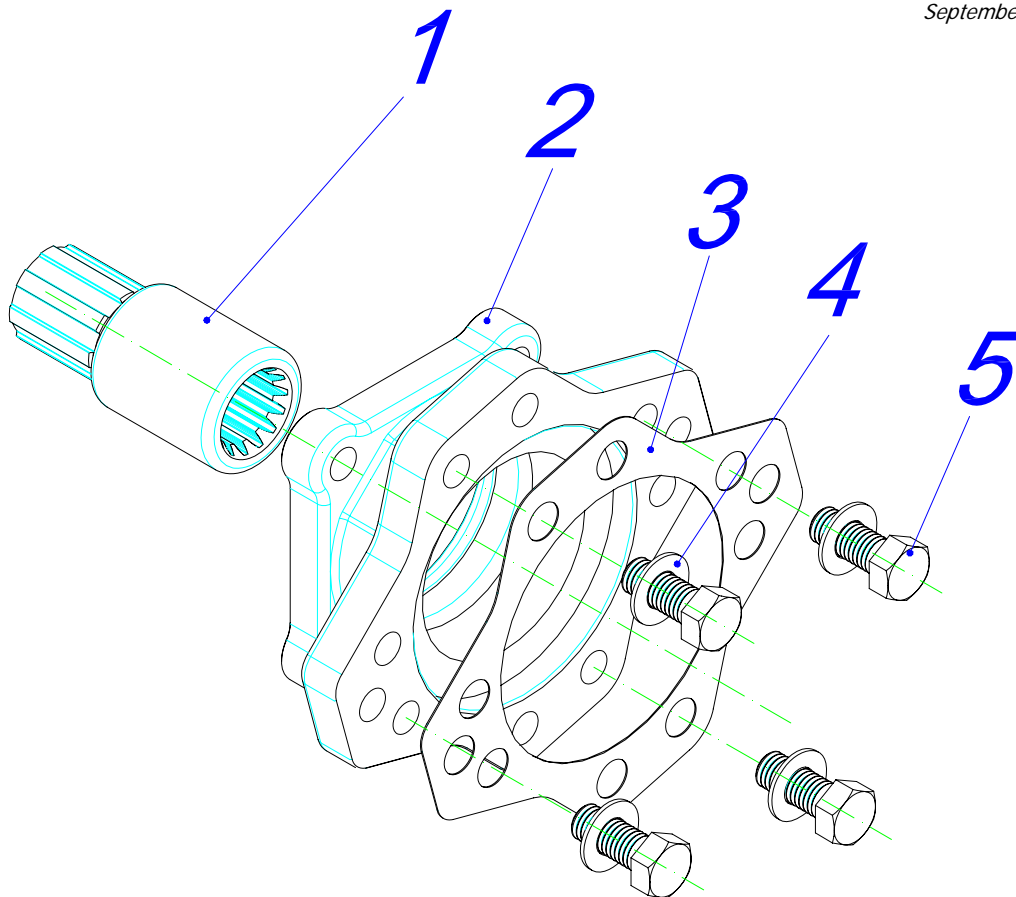


ADAPTER KIT ISO 4 BOLT- SAE "B"2/ 4 BOLT

September 2.003



ITEM	QT.	DESCIPTION	DIMENS.	CODE	BZ USA CODE
1	1	Output shaft		Table 1	
2	1	Adapter housing		202027802	
3	1	Gasket		108010091	
4	4	Washer	Ø13	102010002	
5	4	Screw DIN 931	½" 13H UNC x 32	116020025	

TABLE 1: OUTPUT SHAFT PUMP SAE B 2/4 BOLT

OUTPUT SHAFT	SHAFT CODE	ADAPTOR KIT CODE
Z=14 TEETH	203023231	708904
Z= 16 TEETH (DIN 5480)	203054761	7011604