

## VC ORDERING CODE

$$\frac{VC20}{1} \frac{(F)}{2} - \frac{1P11S}{3456} - \frac{1C}{789} \frac{(8)}{10} - \frac{(H)}{11} - \frac{(L)}{11}$$

### 1-Model

VC10, VC20

### 2-Cover

Omit - Standard Cover  
 F - Flow Control Cover  
 P\* - Priority Valve Cover

### 3-Mounting

1 - 2 - Bolt Flange

### 4-Inlet Port Connection

S - 1.3125"-12 Str.thd. (VC10)  
 - 1.625"-12 Str.thd. (VC20)  
 P - 1.00" NPT (VC10)  
 - 1.25" NPT (VC20)  
 B - 1.00" BSP (VC10)  
 - 1.25" BSP (VC20)

### 5-Delivery (USgpm at 1200 rpm)

VC10-1, 2, 3, 4, 5, 6, 7  
 VC20-5, 6, 7, 8, 9, 10, 11, 12, 13

### 6-Outlet Port Connection

VC10F, VC10P, VC20F and VC20P  
 S - 0.750"-16 Str.thd. for outlet and 1.0625"-12 Str. thd. For tank port (VC20F)  
 P - 0.750"-16 Str.thd. for outlet and 0.500" NPT for tank port (VC10F and VC20F)  
 T - 0.750"-16 Str.thd. for outlet and tank port (VC10F)  
 - 0.750"-16 Str.thd. for primary outlet and tank port 0.875"-14 Str.thd.for secondary outlet (VC20P)  
 K - 0.5625"-18 Str.thd. for primary outlet and tank port and 0.750"-16 Str.thd.for secondary outlet (VC10P)  
 T - 0.750"-16 Str.thd. for outlet and 0.750"-16 Str.thd. for tank port (VC20F)

### 7-Shaft

1 - Straight keyed  
 3 - Threaded with woodruff key  
 6 - Woodruff key stub (VC20 only)  
 11 - Splined  
 12 - Splined (VC10 only)  
 15 - Splined (VC20 only)  
 38 - Splined (VC20 only)  
 123 - Threaded with woodruff key

### 8-Outlet Port Position

(Viewed from cover end)  
 A - Opposite inlet  
 B - 90° CCW from inlet  
 C - Inline with inlet  
 D - 90° CW from inlet

### 9-Flow rate Setting for Flow control and

#### Priority Valve Cover L/min (USgpm)

|              |              |
|--------------|--------------|
| 2 - 7.6 (2)  | 6 - 22.7 (6) |
| 3 - 11.4 (3) | 7 - 26.5 (7) |
| 4 - 15.2 (4) | 8 - 30.3 (8) |
| 5 - 19.0 (5) |              |

### 10-Pressurer Setting for Flow control and

#### Priority Valve Cover bar (psi)

|               |                |
|---------------|----------------|
| A - 17 (250)  | F - 103 (1500) |
| B - 34 (500)  | G - 121 (1750) |
| C - 52 (750)  | H - 138 (2000) |
| D - 69 (1000) | J - 155 (2200) |
| E - 86 (1250) | K - 172 (2500) |

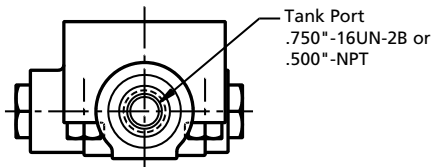
### 11-Shaft Rotation

(Viewed from shaft end)  
 Omit - Turn right  
 L - Turn left

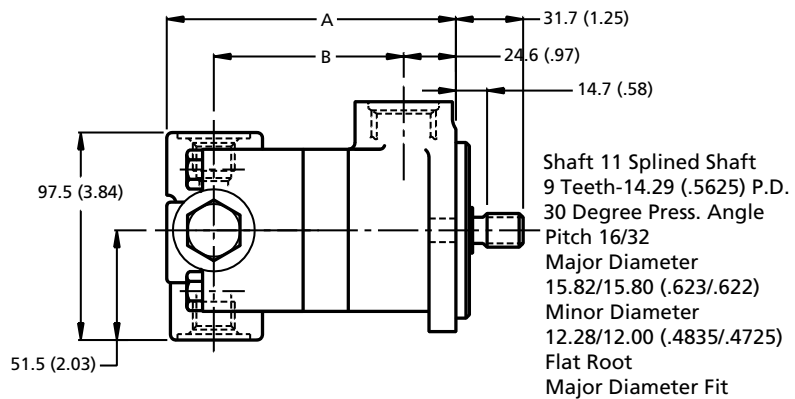
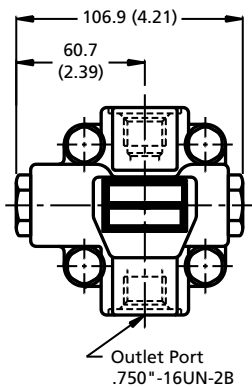
\*VC10P / VC20P available under request

## VC10F&P\* INSTALLATION DIMENSIONS

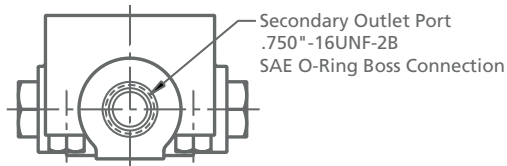
### VC10F



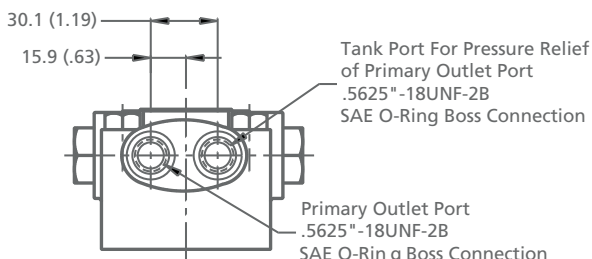
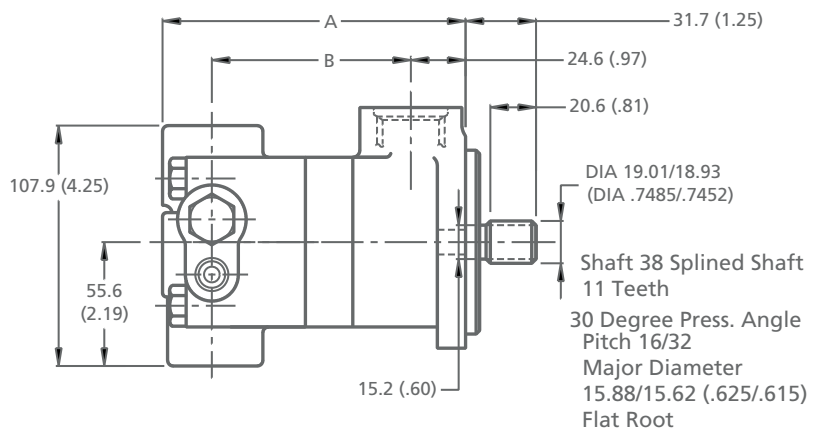
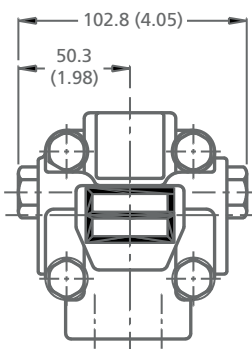
| Delivery @ 1200 r pm<br>& 7 bar(100 psi) | Dimension    |             |
|--|--------------|-------------|
|  | A            | B           |
| 1, 2, 3                                  | 128.8 (5.07) | 84.8 (3.34) |
| 4, 5                                     | 135.1 (5.32) | 91.2 (3.59) |
| 6, 7                                     | 140.2 (5.52) | 96.3 (3.79) |



### VC10P\*



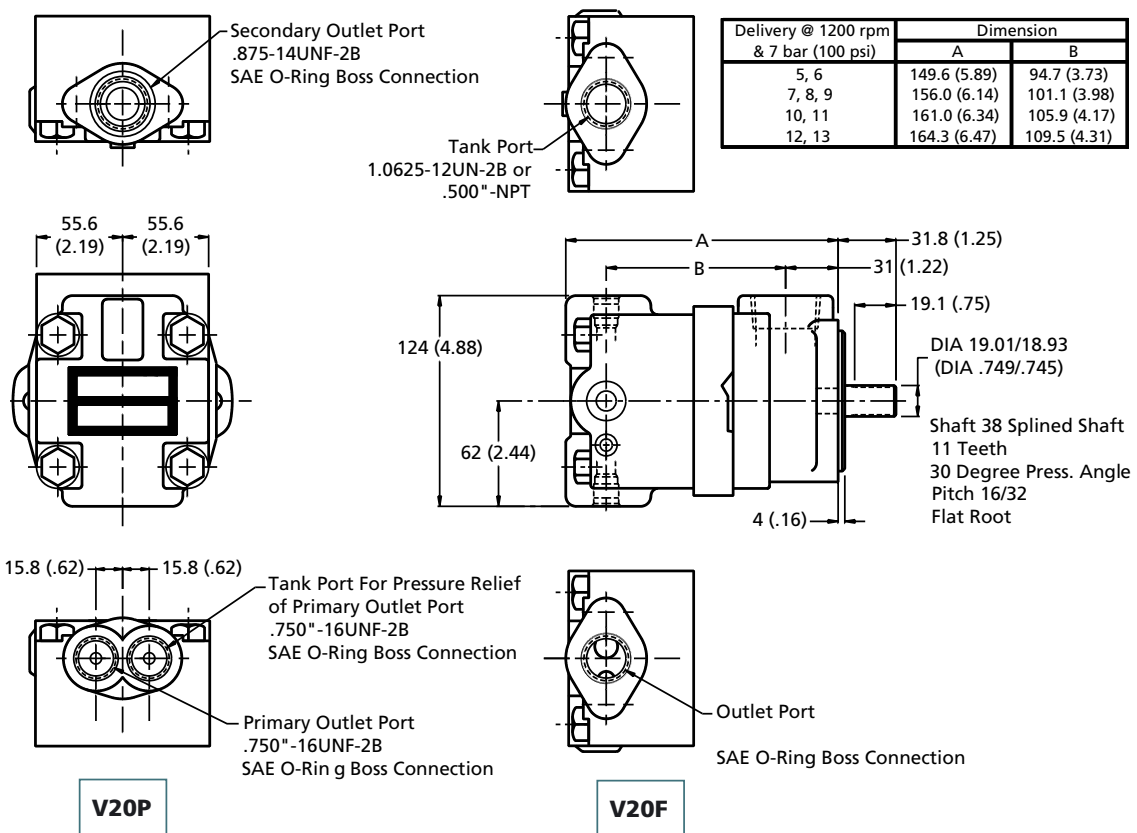
| Delivery @ 1200 r pm<br>& 7 bar(100 psi) | Dimension    |             |
|--|--------------|-------------|
|  | A            | B           |
| 1, 2, 3                                  | 130.0 (5.12) | 84.8 (3.34) |
| 4, 5                                     | 136.4 (5.37) | 91.2 (3.59) |
| 6, 7                                     | 141.5 (5.57) | 96.3 (3.79) |



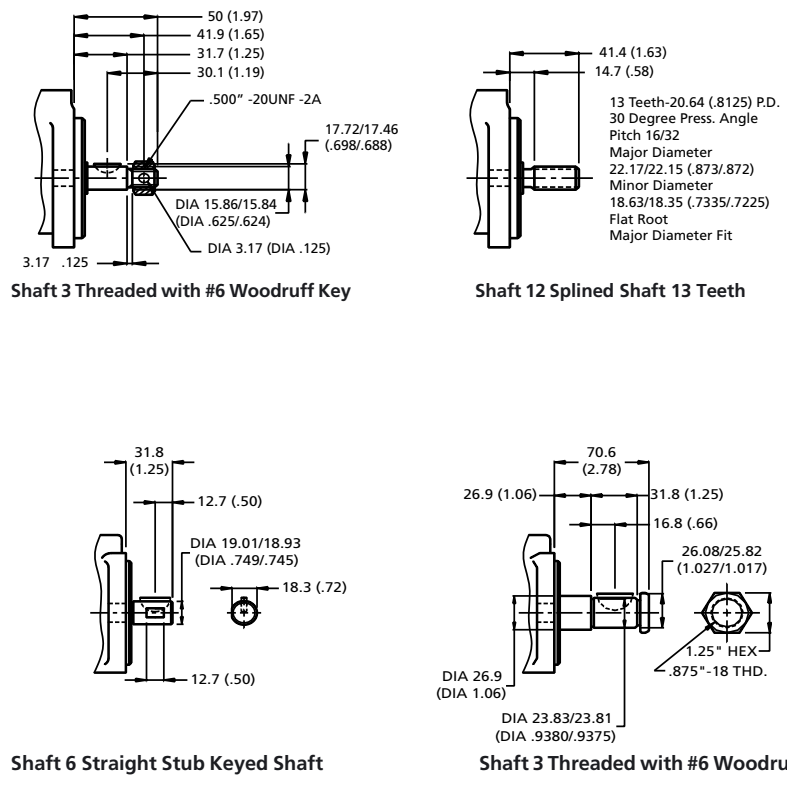
\*VC10P / VC20P available under request

## VC20F&P\* INSTALLATION DIMENSIONS

DATA SHEET



## SHAFT OPTIONS FOR VC10 SERIES AND VC20 SERIES

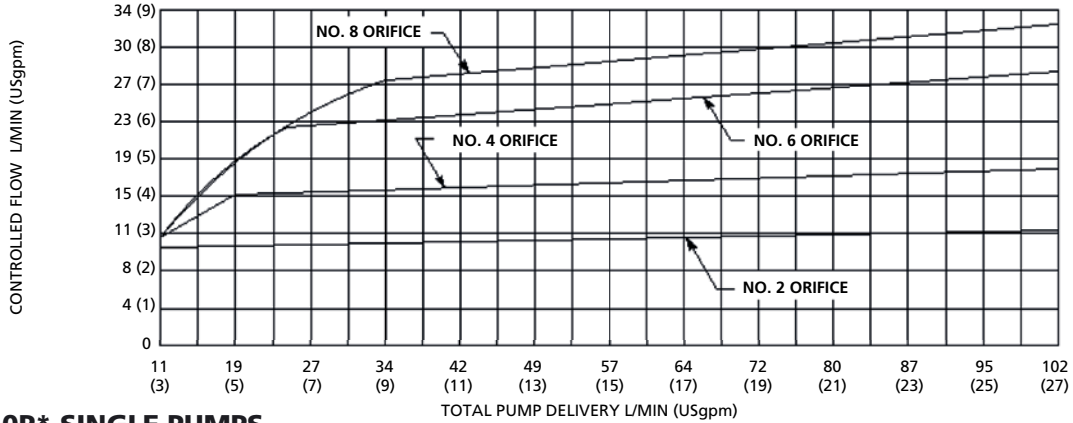


\*VC10P / VC20P available under request

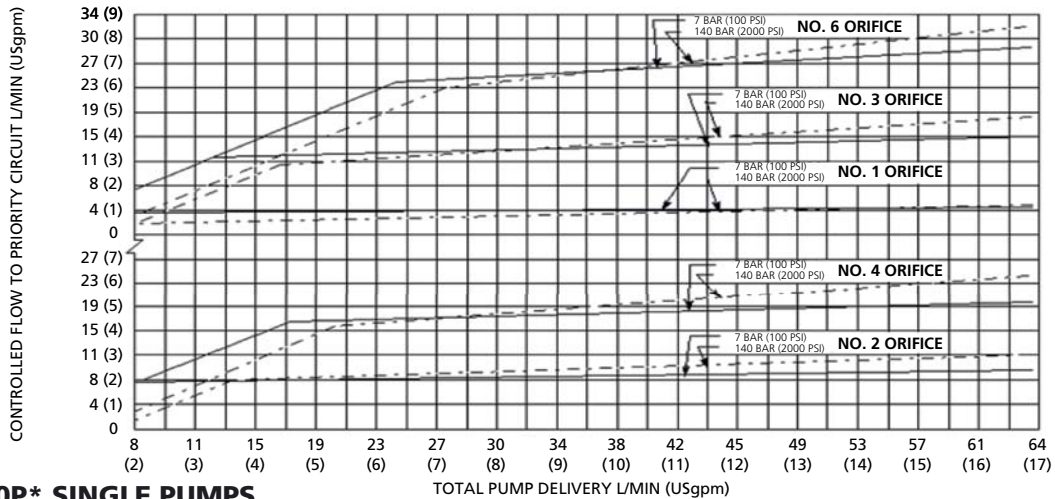
## VC10 AND VC20 PERFORMANCE CHARACTERISTICS

Based on viscosity 32 cSt (150 SSU) oil at 49°C (120°F) and pump inlet at 0 PSIG (14.7 PSIA)

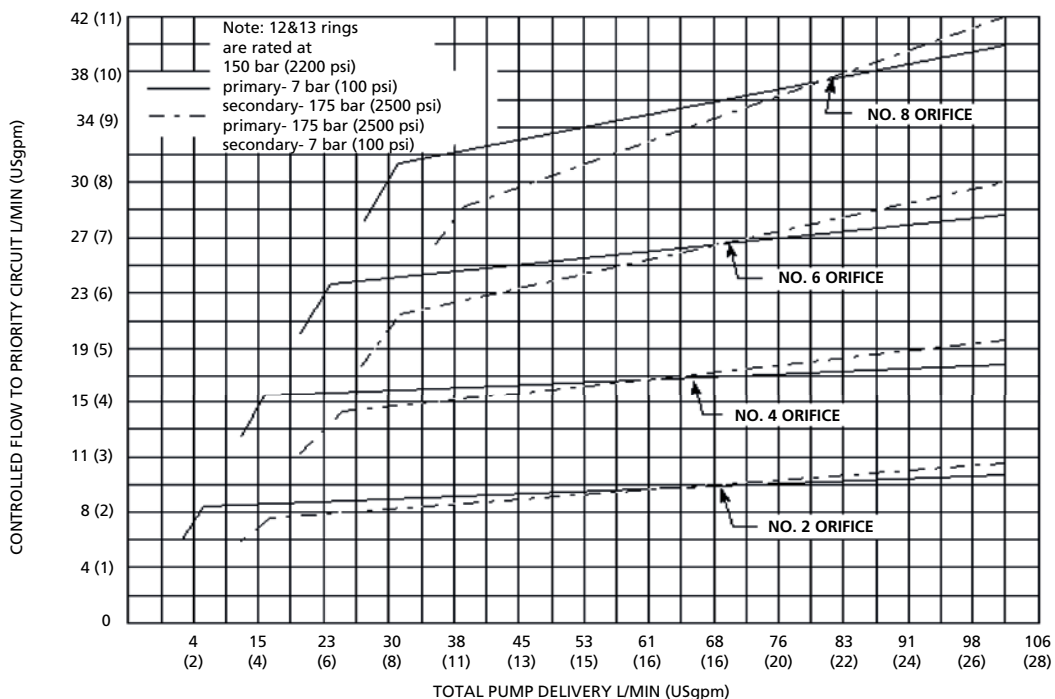
### VC10F, VC20F SINGLE PUMPS



### VC10P\* SINGLE PUMPS



### VC20P\* SINGLE PUMPS



\*VC10P / VC20P available under request