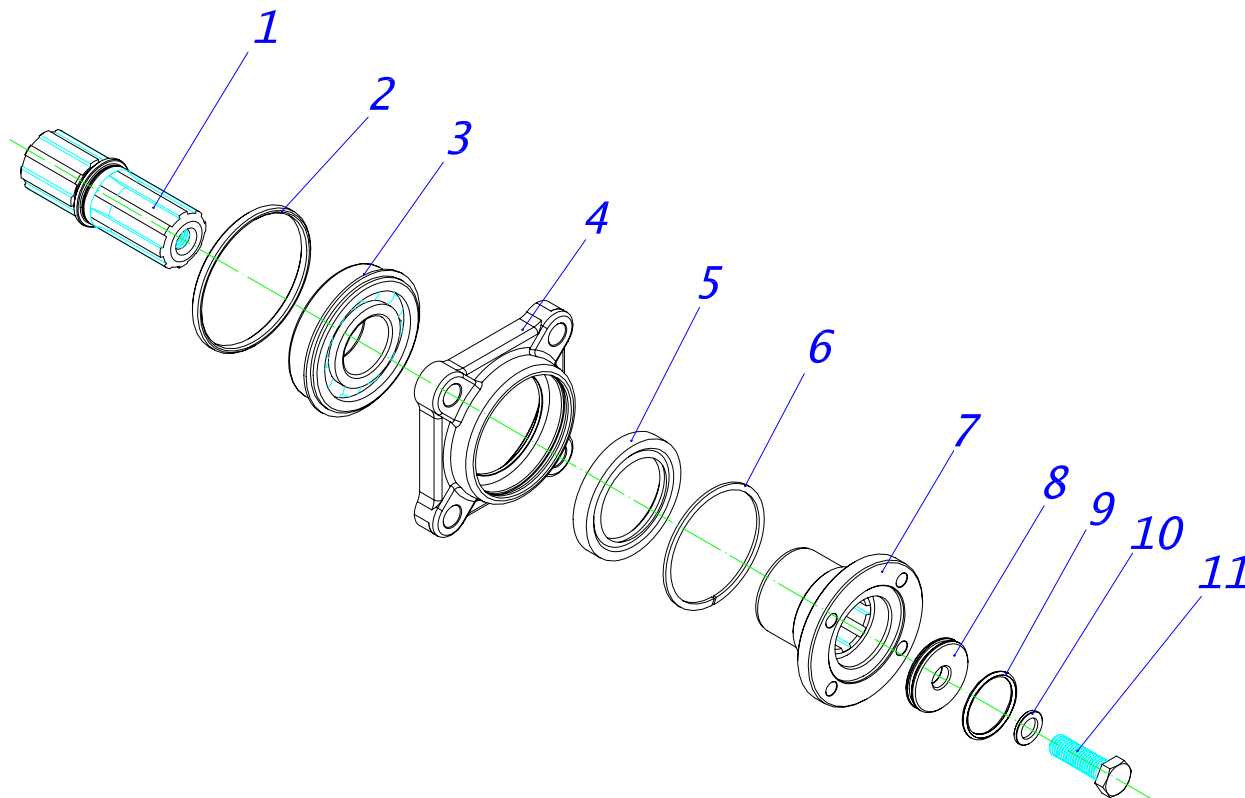


# ADAPTER KIT ISO 4 BOLT- FLANGE

September 2.003



ITEM	QT.	DESCIPTION	DIMENS.	CODE	BZ USA CODE
1	1	Shaft		203022111	
2	1	Spacer bush		211012601	
3	1	Ball bearing	35x80x21	113040021	
4	1	Adapter housing		208010661	
5	1	Seal R	50x72x10	112010018	
6	1	Circlip DIN 472	Ø72	101020013	
7	1	Flange		Table 1	
8	1	Washer		211021301	
9	1	O-ring	Ø34.2x3	107010010	
10	1	Washer DIN 125	Ø12	102010005	
11	1	Hex. Screw DIN 933	M12x30	116030012	

**TABLE 1: TRANSMISSION FLANGE**

FLANGE	FLANGE CODE	ADAPTOR KIT CODE
1.100 SERIES	206012281	705204
1.300 SERIES	206012931	705304
1.400 SERIES	206011271	705404